

Si-10

UNIVERS' L

PISTON PUMP



Versatile pump

The distinctive shape of the Si-10 UNIVERS' L pump allows its use in both new installations and refurbishments. The improved pump ensures a reduced sound level and the design offers ease of maintenance.

BENEFITS



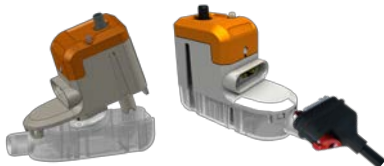
• Universal installation

- A single pump for multiple applications:
 - Covers a large range of capacity, up to 20 kW.
 - Included in our 80x50 and 80x60 Delta Pack.
 - Allows the replacement of the majority of quick fit elbow pumps on the market over the last 10 years.
- "Drain Safe Device" facilitates connection to the discharge pipe.



• Silence

- Silent operation: 22 dBA at full power - Independently tested.
- Mounting bracket designed to reduce vibration transmission.



• Easy maintenance

- Transparent, removable reservoir.
- Secure float assembly
- Lockable plug-in power cable to avoid unintended disconnection.



• Proven reliability

- No filter. Designed to allow free passage of particles up to 2 mm.
- High flow – Up to 20 ltr/hr = Less run time
- The Drain Safe Device retains prime and prolongs the pump life.

KIT CONTENT



- Si-10 piston pump unit.
- Integral detector
- Clear PVC tube Ø int. 6mm – L: 1m, fitted with a « Drain Safe Device » pre-mounted.
- Anti vibration mounting bracket.
- 1.5 m lockable plug-in power cable: 2 power wires, 2 safety switch wires.
- Installation kit:
 - 90° elbow pipe Ø int. 15mm x L60mm
 - Vent tube Ø int. 4mm x L75m

APPLICATIONS

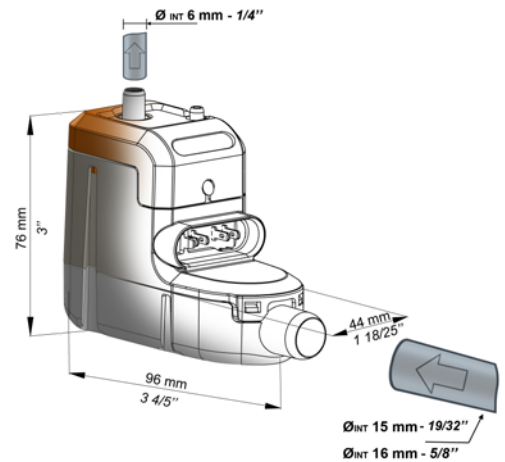
For use with any air-conditioning units, up to 20 kW:

- Wall mounted
- Ceiling suspended
- Ducted
- Fan-coils



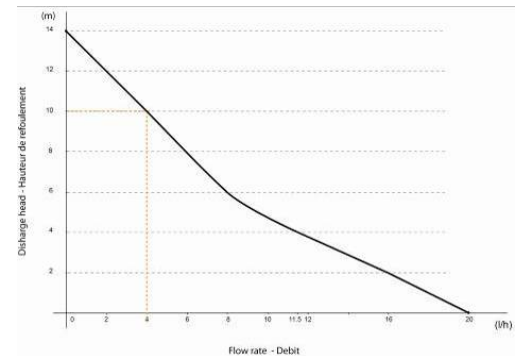
TECHNICAL SPECIFICATION

Max. flow rate	20 l/h
Max. discharge head	10 m (Flow rate=4l/h)
Max pressure	14 m (Flow rate =0l/h)
Sound level at 1m : according to EN ISO 3744 (Measured at LNE lab, pump operating with water, out of application)	22 dBA
Sound level at 1m: (Measured at Sauermann lab, pump operating with water)	≤ 25 dBA
Mains supply	230V~ 50/60Hz - 14 W
Insulation	☐ (double insulation)
Detection levels	ON : 18mm, OFF : 13mm, Safety : 21mm
Safety switch	NC 8 A resistive – 250V
Thermal protection (overheating)	115°C (Auto reset)
Operating conditions	100% - Continuous duty
Protection	IPX4
Safety standards	CE & EAC
RoHS directive	Compliant
WEEE directive	Compliant
Packaging	0.41kg – L170 x l160 x H95 mm
Masterpack	12 pieces

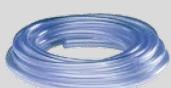


ACTUAL FLOW RATES (l/h)

Discharge head	Total tube length (Ø Int 6 mm, 1/4")			
	5 m	10 m	20 m	30 m
0 m	20	19	18	17
2 m	16	15	14	13,5
4 m	11,5	11	10,5	10
6 m		8,5	7,5	6,5
8 m		6	5	4
10 m		4	3,5	2,5



RECOMMENDED ACCESSORIES



Clear PVC hose Ø int. 6mm (1/4")
 ACC00909: 5 m
 ACC00910: 50 m
 ACC00914: braided, 50 m



Self-sealing fittings
 for drain hose Ø int. 6 mm (1/4")
 ACC00919

Non-contractual document. We reserve the right to modify the characteristics on our products without prior notice.